

MV-CA040-7050C is a Crystal (XTAL) . This Crystal is an AT Cut resonator and comes in a Hermetic Ceramic 7.0x5.0mm package.

The device is qualified to meet the JEDEC standard for Pb-Free assembly and compliant to the RoHS directive.

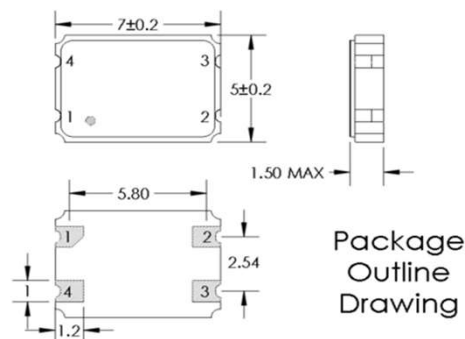
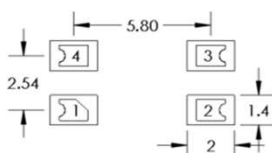
## Electrical Performance

Parameter	Min	Typ	Max	Units
<b>General</b>				
Output Frequency	8		156	MHz
Mode	Fundamental, 3OT			
Operating Temperature	-10/+70 -40/+85 -40/+105 -55/+125			°C
Storage Temperature	-55/125			°C
Stability Over Temperature	±100 ±50 ±30 ±25 ±20 ±15 ±10			ppm
Frequency Tolerance ( 25°C ±3°C)	±30 ±10			ppm
Aging			±5	ppm/year
Drive Level		10	100	µW
Package Size	7.0 x 5.0 x 1.5			mm
<b>Equivalent Circuit</b>				
Load Capacitance (CL)	6 to 32			pF
Shunt Capacitance (C0)				5
Equivalent Series Resistance (ESR)				
8 MHz to 10 MHz				60
10.1 MHz to 14 MHz				50
14.1 MHz to 20 MHz				40
20.1 MHz to 40 MHz				30
40 MHz to 156.25 MHz (3rd OT)				80
Insulation Resistance	500			MΩ

## Package Information

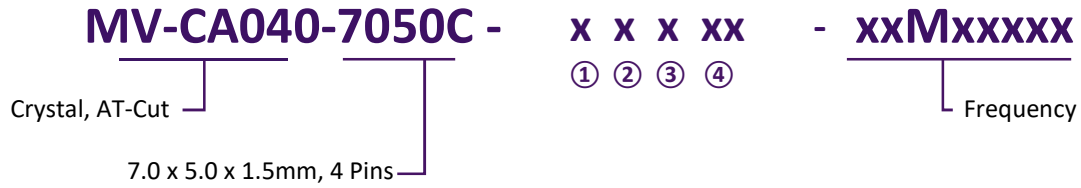
Pin #	Function
Pin 1	Crystal Terminal
Pin 2	GND = Ground
Pin 3	Crystal Terminal
Pin 4	GND = Ground

Pad Layout



Package Outline Drawing

Ordering Information



① Temp Range

J: -10/+70 °C  
 K: -40/+85 °C  
 L: -40/+105 °C  
 N: -55/+125 °C

② Temp Stability

A: ±100 ppm  
 C: ±50 ppm  
 D: ±30 ppm  
 E: ±25 ppm  
 F: ±20 ppm  
 G: ±15 ppm  
 J: ±10 ppm

③ Initial Tolerance

J: ±10 ppm  
 D: ±30 ppm

④ Load Capacitance

00: Series Resonance  
 F0: 6.0 pF  
 G0: 7.0 pF  
 J0: 9.0 pF  
 M5: 12.5 pF  
 T0: 18 pF  
 XX: Other (CL) Ordering Codes

**Ordering Option Notes:**

- 1 For XX: Other Load Capacitance ordering codes (<http://datasheets.mv-electronics.com/XTAL-LoadCap.pdf>)
- 2 For temperatures wider than -40/85, only 50ppm and 100ppm available.